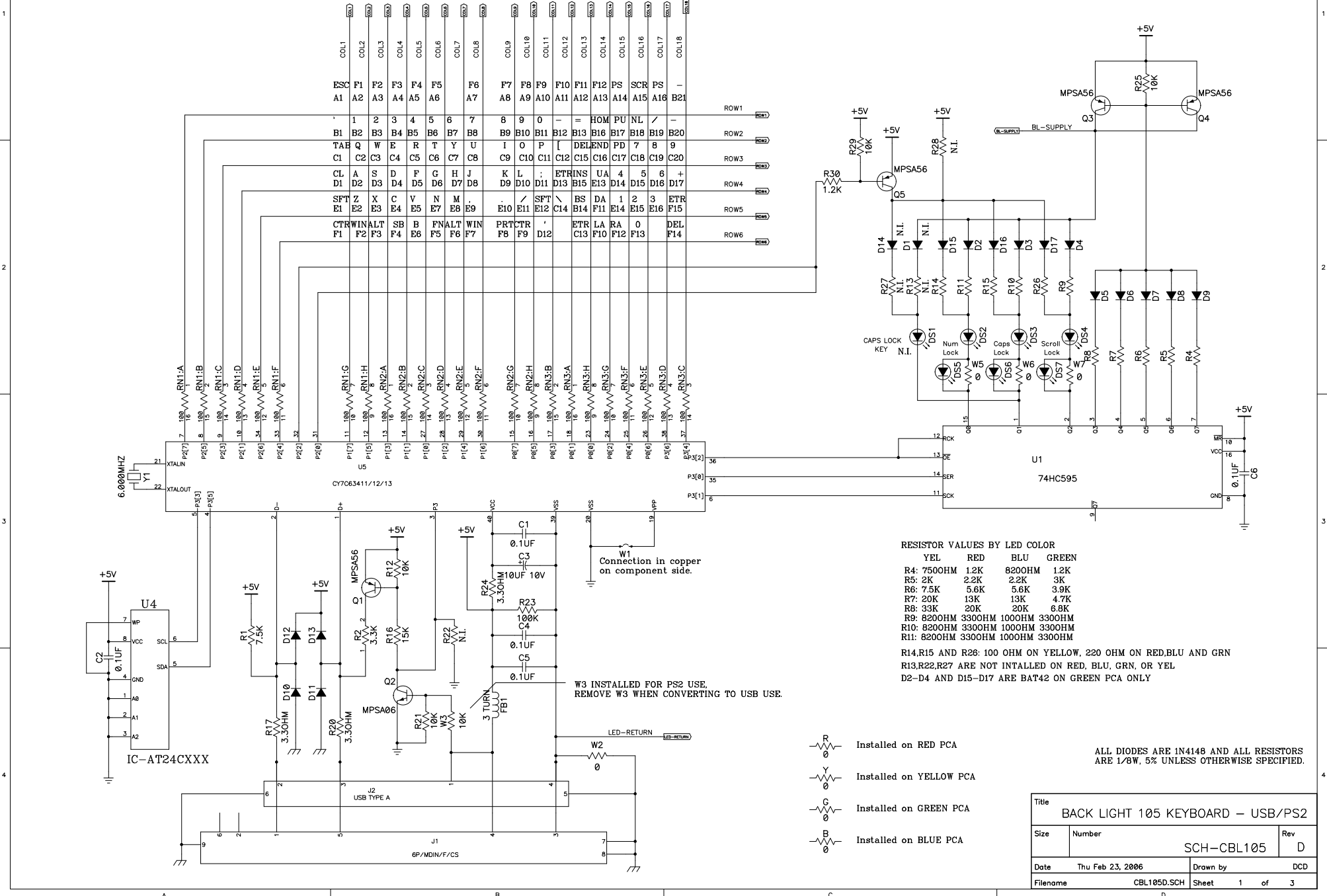


W5,W6, AND W7 TO BE INSTALLED ON ALL COLORS.(NORMAL CONDITION)
 TO HAVE ALL LED'S MATCH THE COLOR OF THE BACKLIGHT LED'S.
 REPLACE W5,W6, AND W7 WITH DS5,DS6 AND DS7 WHEN BUILDING RED OR YEL BACKLIGHT WITH RED OR YEL LED'S.
 FOR BLU AND GREEN LED'S KEEP W5,W6 AND W7 IN PLACE. NO ADDITIONAL LED IS REQ.



RESISTOR VALUES BY LED COLOR

| | YEL | RED | BLU | GREEN |
|------|--------|--------|--------|--------|
| R4: | 750OHM | 1.2K | 820OHM | 1.2K |
| R5: | 2K | 2.2K | 2.2K | 3K |
| R6: | 7.5K | 5.6K | 5.6K | 3.9K |
| R7: | 20K | 13K | 13K | 4.7K |
| R8: | 33K | 20K | 20K | 6.8K |
| R9: | 820OHM | 330OHM | 100OHM | 330OHM |
| R10: | 820OHM | 330OHM | 100OHM | 330OHM |
| R11: | 820OHM | 330OHM | 100OHM | 330OHM |

R14,R15 AND R26: 100 OHM ON YELLOW, 220 OHM ON RED,BLU AND GRN
 R13,R22,R27 ARE NOT INTALLED ON RED, BLU, GRN, OR YEL
 D2-D4 AND D15-D17 ARE BAT42 ON GREEN PCA ONLY

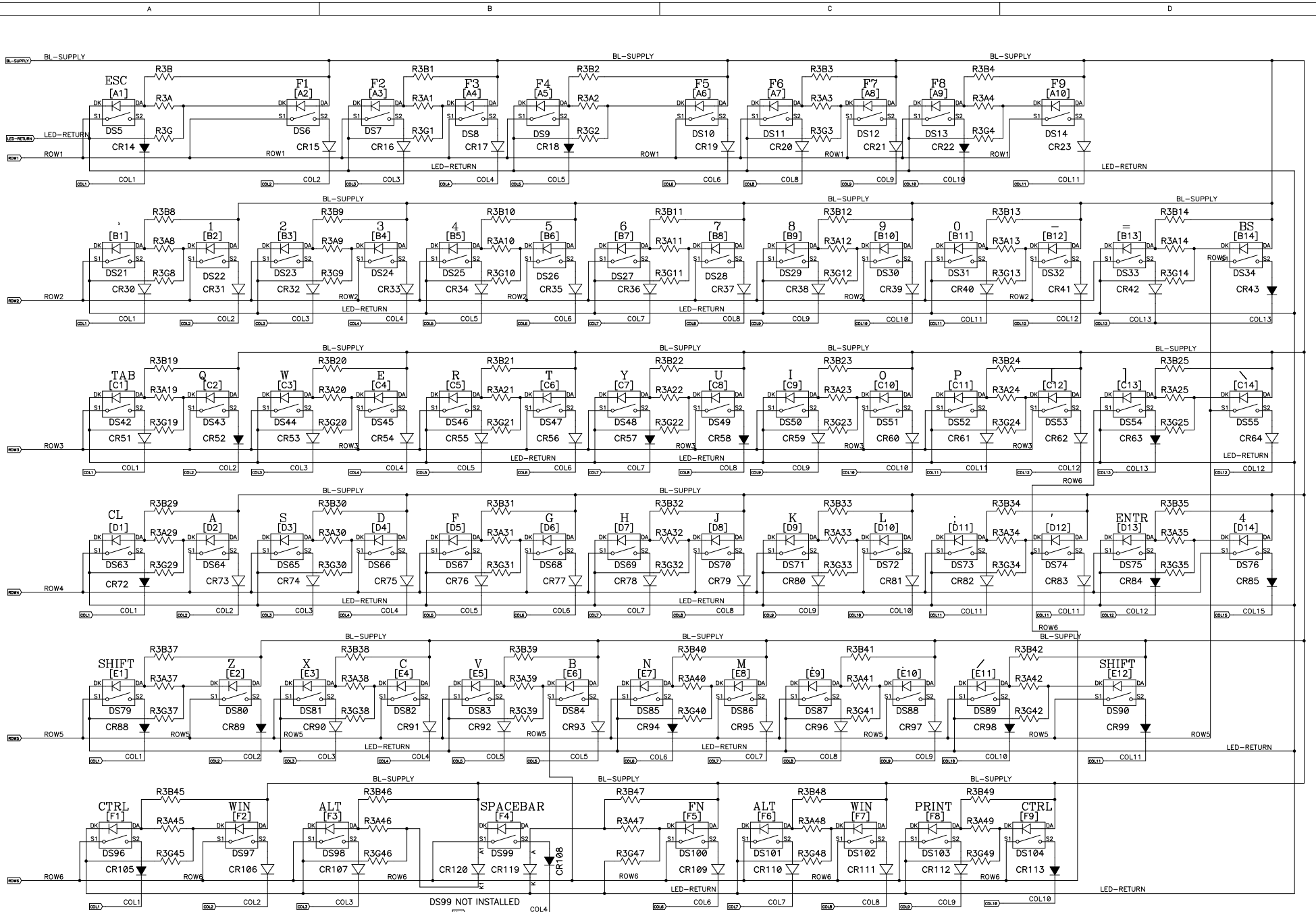
Connection in copper on component side.

W3 INSTALLED FOR PS2 USE, REMOVE W3 WHEN CONVERTING TO USB USE.

- Installed on RED PCA
- Installed on YELLOW PCA
- Installed on GREEN PCA
- Installed on BLUE PCA

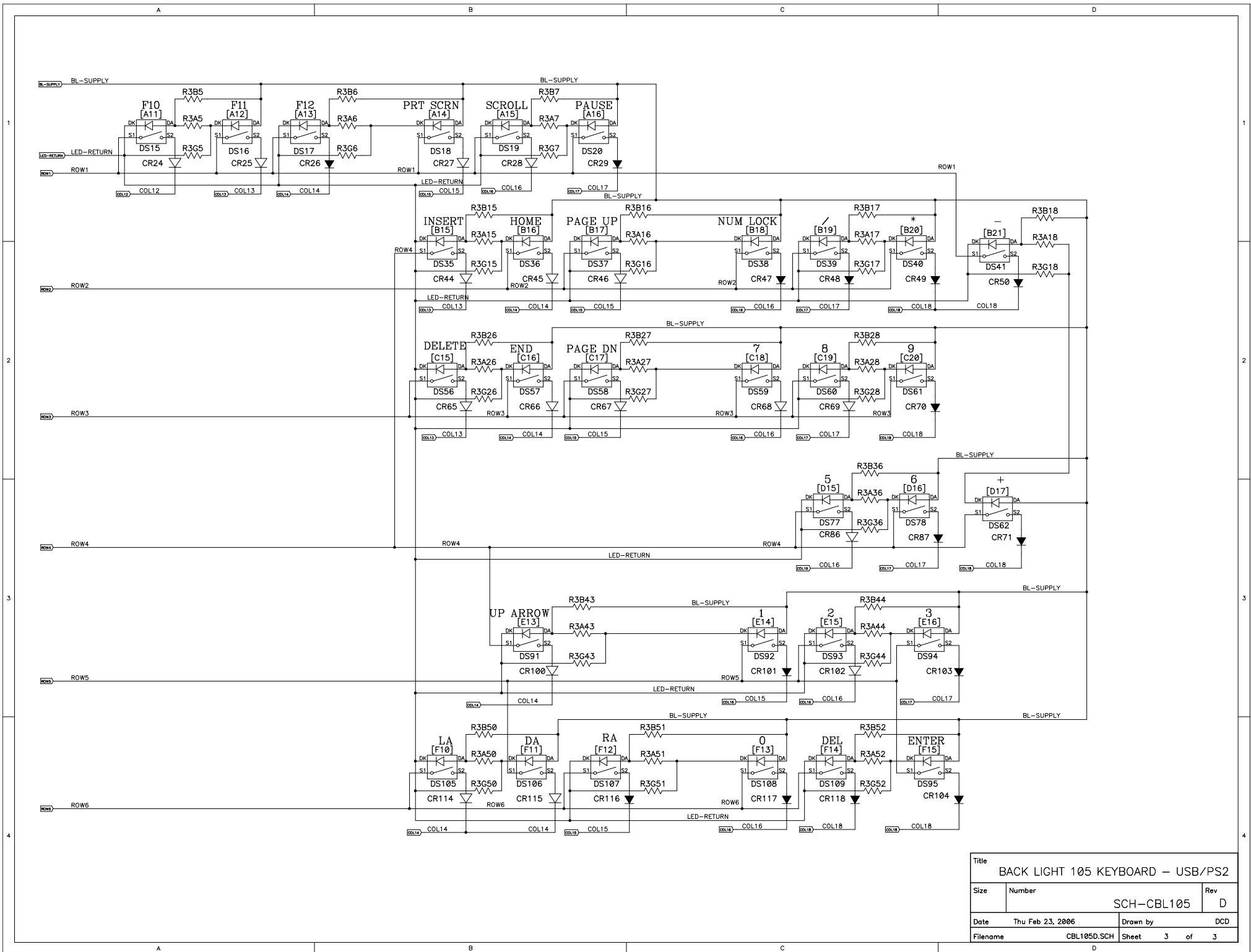
ALL DIODES ARE IN4148 AND ALL RESISTORS ARE 1/8W, 5% UNLESS OTHERWISE SPECIFIED.

| | | | |
|-----------------------------------|------------------|------------|--------|
| Title | | | |
| BACK LIGHT 105 KEYBOARD - USB/PS2 | | | |
| Size | Number | SCH-CBL105 | Rev D |
| Date | Thu Feb 23, 2006 | Drawn by | DCD |
| Filename | CBL105D.SCH | Sheet | 1 of 3 |



FOR LED COLOR RED AND YELLOW INSTALL R3A-R3A52: VALUE= 100 OHM ON YEL, 120 OHM ON RED. NOT INSTALLED ON BLUE OR GREEN LED PCA'S.
 FOR LED COLORS BLUE AND GREEN INSTALL R3B-R3B52 AND R3G-R3G52: VALUE=330OHM NOT INSTALLED ON RED OR YELLOW PCA'S

| | | | | | |
|----------|------------------|--|-----------------------------------|--------|-----|
| Title | | | BACK LIGHT 105 KEYBOARD - USB/PS2 | | |
| Size | Number | | SCH-CBL105 | | Rev |
| | | | | | D |
| Date | Thu Feb 23, 2006 | | Drawn by | DCD | |
| Filename | CBL105D.SCH | | Sheet | 2 of 3 | |



| | | | | | |
|----------|------------------|------------|-----------------------------------|-----|---|
| Title | | | BACK LIGHT 105 KEYBOARD – USB/PS2 | | |
| Size | Number | SCH–CBL105 | | Rev | D |
| Date | Thu Feb 23, 2006 | Drawn by | DCD | | |
| Filename | CBL105D.SCH | Sheet | 3 | of | 3 |