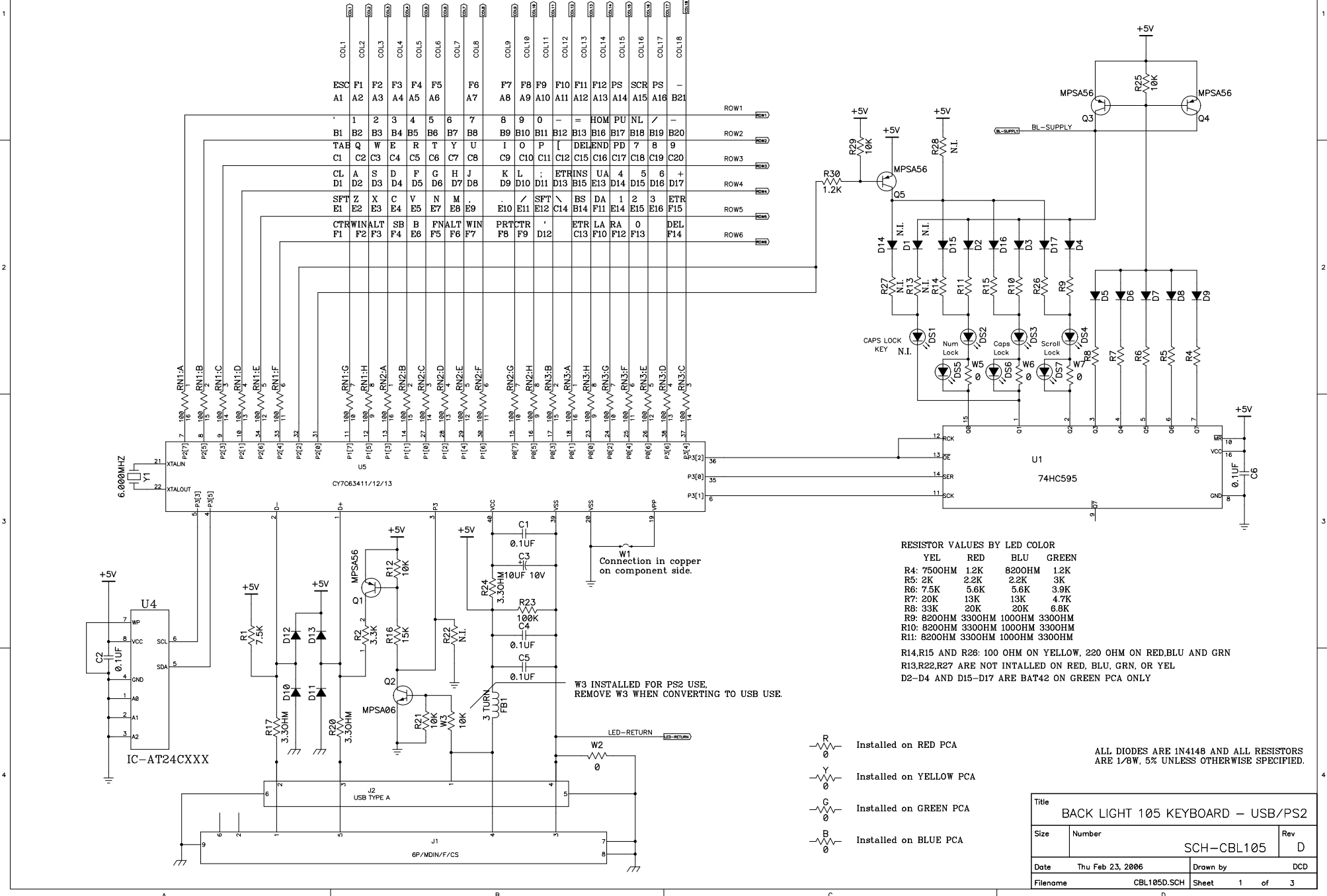


W5,W6, AND W7 TO BE INSTALLED ON ALL COLORS.(NORMAL CONDITION)
 TO HAVE ALL LED'S MATCH THE COLOR OF THE BACKLIGHT LED'S.
 REPLACE W5,W6, AND W7 WITH DS5,DS6 AND DS7 WHEN BUILDING RED OR YEL BACKLIGHT WITH RED OR YEL LED'S.
 FOR BLU AND GREEN LED'S KEEP W5,W6 AND W7 IN PLACE. NO ADDITIONAL LED IS REQ.



RESISTOR VALUES BY LED COLOR

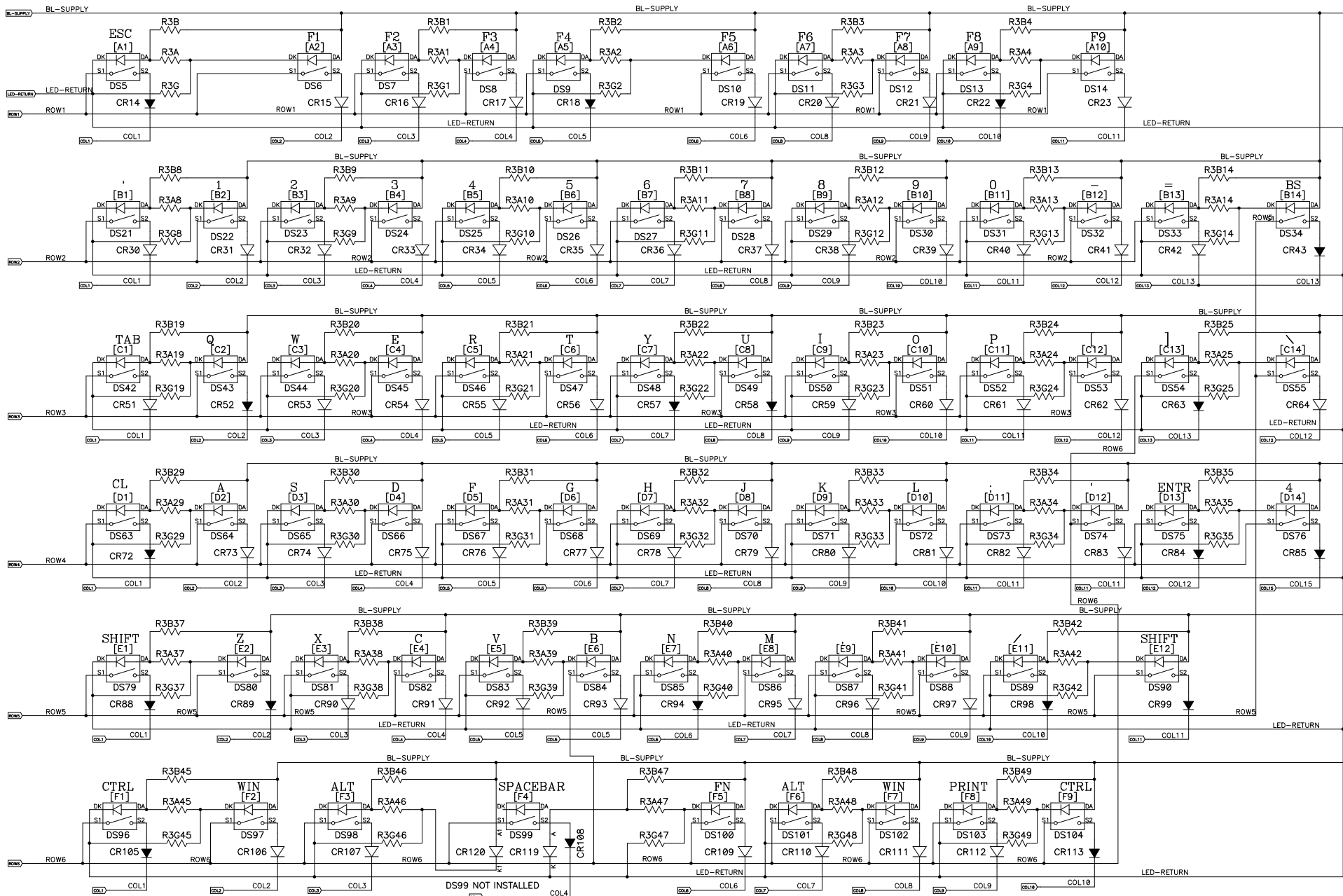
YEL	RED	BLU	GREEN
R4: 7500HM	1.2K	8200HM	1.2K
R5: 2K	2.2K	2.2K	3K
R6: 7.5K	5.6K	5.6K	3.9K
R7: 20K	13K	13K	4.7K
R8: 33K	20K	20K	6.8K
R9: 8200HM	3300HM	1000HM	3300HM
R10: 8200HM	3300HM	1000HM	3300HM
R11: 8200HM	3300HM	1000HM	3300HM

R14,R15 AND R26: 100 OHM ON YELLOW, 220 OHM ON RED,BLU AND GRN
 R13,R22,R27 ARE NOT INTALLED ON RED, BLU, GRN, OR YEL
 D2-D4 AND D15-D17 ARE BAT42 ON GREEN PCA ONLY

- Installed on RED PCA
- Installed on YELLOW PCA
- Installed on GREEN PCA
- Installed on BLUE PCA

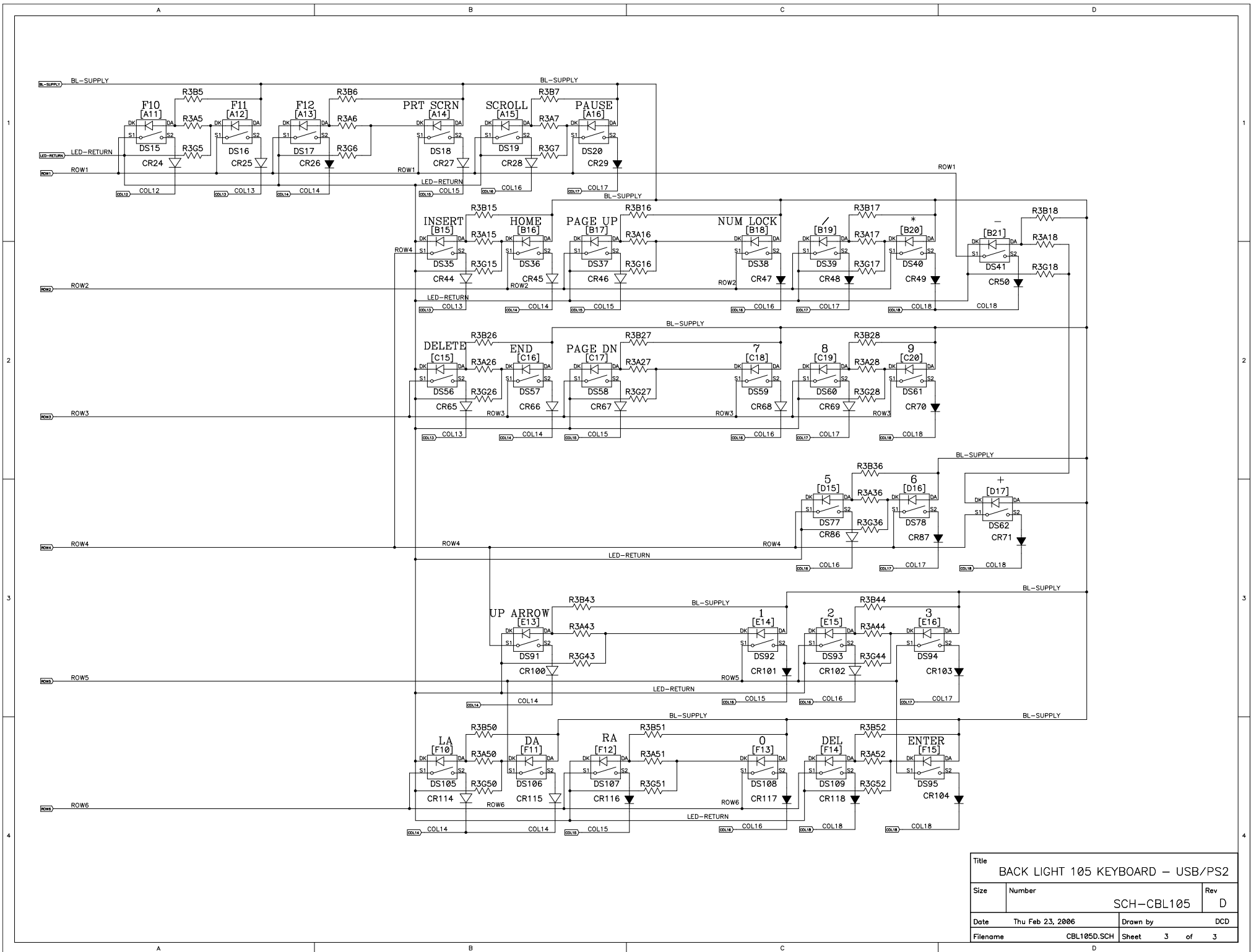
ALL DIODES ARE IN4148 AND ALL RESISTORS ARE 1/8W, 5% UNLESS OTHERWISE SPECIFIED.

Title BACK LIGHT 105 KEYBOARD - USB/PS2			
Size	Number	SCH-CBL105	Rev D
Date	Thu Feb 23, 2006	Drawn by	DCD
Filename	CBL105D.SCH	Sheet	1 of 3



FOR LED COLOR RED AND YELLOW INSTALL R3A-R3A52: VALUE= 100 OHM ON YEL, 120 OHM ON RED. NOT INSTALLED ON BLUE OR GREEN LED PCA'S.
 FOR LED COLORS BLUE AND GREEN INSTALL R3B-R3B52 AND R3G-R3G52: VALUE=330OHM NOT INSTALLED ON RED OR YELLOW PCA'S

Title			BACK LIGHT 105 KEYBOARD - USB/PS2		
Size	Number		SCH-CBL105		Rev
					D
Date	Thu Feb 23, 2006		Drawn by	DCD	
Filename	CBL105D.SCH		Sheet	2 of 3	



Title			BACK LIGHT 105 KEYBOARD – USB/PS2		
Size	Number	SCH–CBL105		Rev	D
Date	Thu Feb 23, 2006	Drawn by	DCD		
Filename	CBL105D.SCH	Sheet	3	of	3